

# VRLA AGM DEEP CYCLE

## RM6-225DC

### Specification

Nominal Voltage		6V
Rated Capacity (25°C)	20 Hour Rate (11.2A to 5.25Volts)	224 Ah
	10 Hour Rate (21.0A to 5.25Volts)	210 Ah
	5 Hour Rate (38.0A to 5.1 Volts)	190 Ah
Reserve Capacity	@25A	475 Minutes
	@75A	132 Minutes
Dimensions	Length	260 mm (10.24 inches)
	Width	180 mm (7.09 inches)
	Height	247 mm (9.72 inches)
	Total Height	253 mm (9.96 inches)
Weight		30.5kg(67.3lbs)



### Characteristics

Capacity Affected by Temperature (20 HR)			Self Discharge @ 25°C(77°F)	Max. Discharge Current @ 25°C(77°F)	Charging @ 25°C(77°F) (Constant Voltage)		Internal Resistance @ 25°C(77°F)	Container material
0°C (32°F)	25°C (77°F)	40°C (104°F)			Cycle	Float		
85%	100%	102%	<3% of capacity per month	2000A(5S)	7.20~7.35V	6.8~6.9V	1.4m Ω	ABS

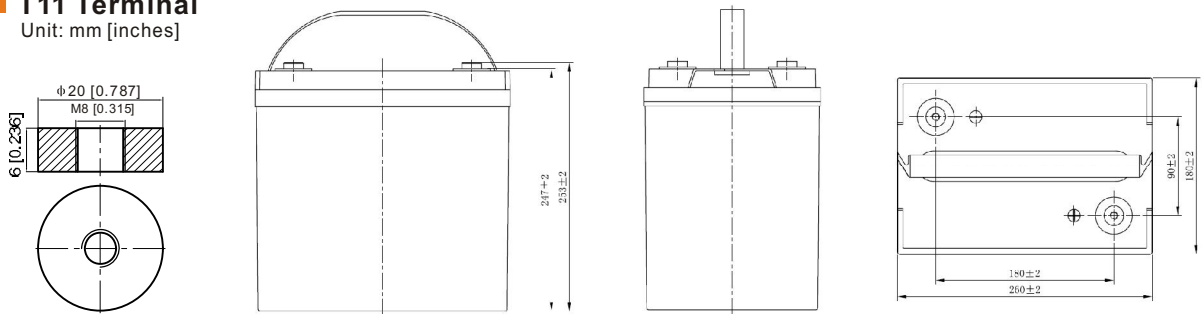
### Typical Applications

- Golf cart
- Electric sightseeing car
- Scraper
- Electric vehicle
- Electric scooter
- Marine
- Solar
- Electric forklift
- Portable Medical device
- Wheelchair

## Battery Structure and Size

### T11 Terminal

Unit: mm [inches]

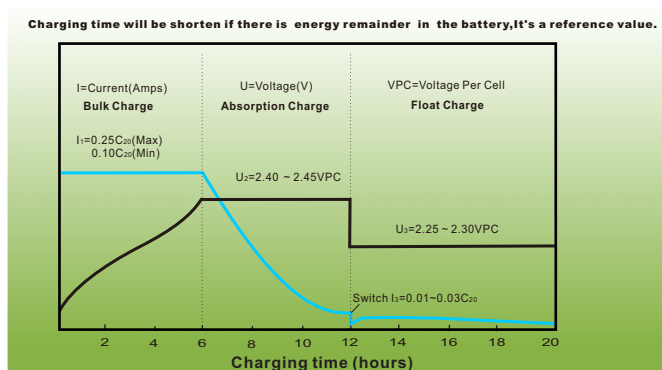


## Key Features & Benefits

- Maintenance-free sealed construction, spill proof — safe and reliable.
- Strength-enhanced ABS container and compressed plate groups — better vibration and impact resistant.
- Special Lead-Calcium grid design — better corrosion resistant, deep discharge performance, higher capacity and longer cycle life.
- High porosity AGM separator — high oxygen recombination rate to ensure minimum gassing.
- Brass insert terminals — superior conductivity and high rate discharge performance.
- Low internal resistance — high charge acceptance and quick recharge.
- Low self discharge — longer shelf life than conventional batteries.

## Performance Characteristics

### Charging characteristic (25°C, 77°F)



### Cycle life in relation to depth of discharge

